

# ERU-3600

## REFRACTION UNIT

### SPECIFICATION

Unit size	1190 × 1055 × 1850mm
Table Size	890 × 405mm
Table rotation range	90°
Table movable range	335mm
Swing arm oscillation angle	±35°
Chair rotation range	60°
Chair up and down range	540-690mm
Chair loading ability	200-250kg
Chair backrest obliquity	160°
Lamp	LED (24V, 3W)
Electric Voltage	AC220V/110V 50/60HZ
Weight	200kg

Designs and details can be changed without prior notice for the purposes of improvement.

Distributed by



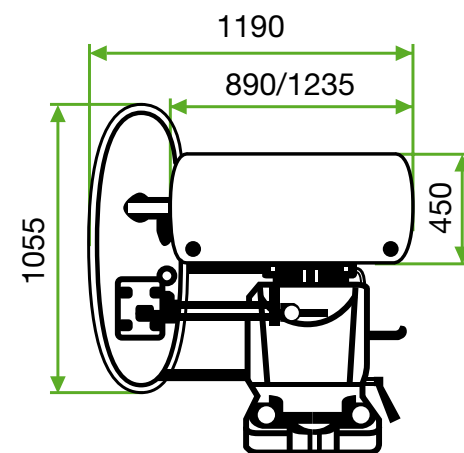
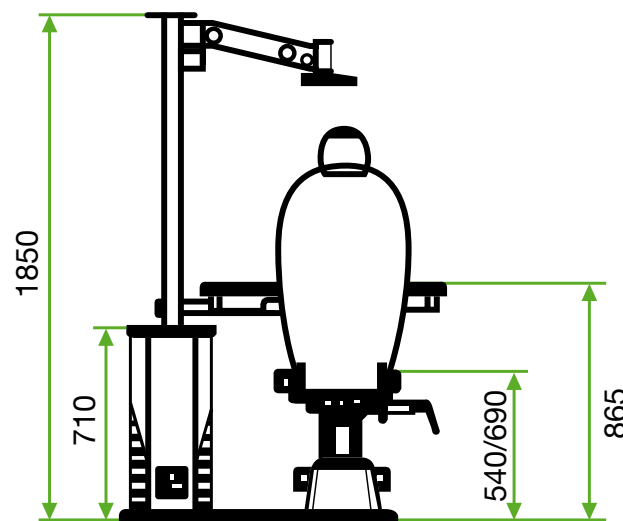
9990 NW 14<sup>th</sup> Street Unit #105  
 Doral, Florida 33172  
 Tel: 305-722-7321  
 Fax: 786-664-3347  
 info@ezerusa.com  
 www.ezerusa.com

· Please scan with your Smartphone ·



# Refraction Unit

## ERU-3600





- Reclining Chair angle: 160°, pillow could be adjusted according to height of people.
- Handle-phoropter arm could be adjusted according to height of people.
- Table is movable, accomodates two instruments.



Combinatorial system which could be used together with Auto Refractometer, Phoropter, Keratometer, Slit Lamp, and Chart Projector. It makes the whole system work more conveniently and accurately. Sliding table accomodates two instruments and provides with 90 degrees' rotation; Hand-operated

phoropter arm can swing up and down, left and right; Reclining Chair can smoothly lift up and down, forward and backward with low noise. It can be used with kinds of ophthalmic instruments, and it's the ideal choice for hospitals, clinics and optical shops.

Adopt European style in appearance designing, simple and fashionable. human-oriented design, universal function and good performance, easily operation.

Sliding table accomodates two instruments and provides with 90 degrees rotation; Hand-operated phoropter arm can swing up and down, left and right; Reclining Chair can smoothly lift up and down, forward and backward with low noise. It can be used with kinds of ophthalmic instruments, and it's the ideal choice for hospitals, clinics and optical shops.

